

**VI TELEFILTER****Development Specification****TFS 942****1/5****Measurement condition**

Ambient temperature:	25 ± 2	°C
Input power level:	0	dBm
Terminating impedance:		
Input:	50	Ω
Output:	50	Ω

**Characteristics**

## Remark:

The maximum attenuation in the pass band is defined as the insertion loss  $a_e$ . The nominal frequency  $f_N$  is fixed at 942,5 MHz without any tolerance or limit. The electrical data have to be guaranteed at ambient temperature.

<b>D a t a</b>			<b>typ. value</b>	<b>tolerance / limit</b>	
<b>Insertion loss</b>	$A_e$		-	max.	3,4 dB
<b>Nominal frequency</b>	$f_N$		-		942,5 MHz
<b>Passband</b>	PB		-	$f_N$	± 17,5 MHz
<b>Pass band ripple (p-p)</b>			-	max.	1,7 dB
<b>Absolute attenuation</b>	$A_{abs}$				
0 MHz ...	860 MHz		-	min.	40 dB
860 MHz ...	880 MHz		-	min.	35 dB
880 MHz ...	905 MHz		-	min.	22 dB
905 MHz ...	915 MHz		-	min.	20 dB
970,7 MHz ...	980 MHz		-	min.	14 dB
980 MHz ...	1005 MHz		-	min.	18 dB
1005 MHz ...	1050 MHz		-	min.	30 dB
1050 MHz ...	1500 MHz		-	min.	40 dB
1500 MHz ...	3000 MHz		-	min.	15 dB
<b>Operable temperature range</b>	OTR		-	- 20 °C ... + 75 °C	
<b>Storage temperature range</b>			-	- 40 °C ... + 85 °C	
<b>Temperature coefficient of frequency</b>	$TC_f$ *		-30	ppm/K	-
<b>Input power level</b>			-	max.	15 dBm

\*)  $\Delta f_c(\text{Hz}) = TC_f(\text{ppm/K}) \times (T - T_o) \times f_{CAT}(\text{MHz})$ .

**Generated** :

---

**Checked / approved** :

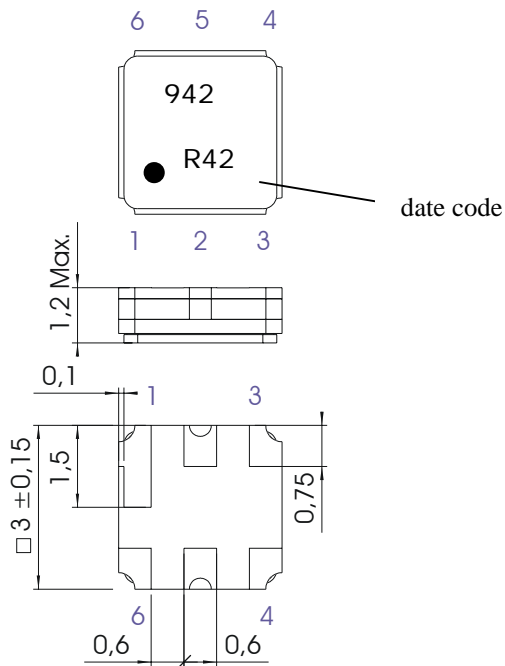
---

**TELE FILTER GmbH**  
**Potsdamer Straße 18**  
**D 14 513 TELTOW / Germany**  
**Tel: (+49) 3328 4784-0 / Fax: (+49) 3328 4784-30**  
**E-Mail: [tft@telefilter.com](mailto:tft@telefilter.com)**

VI TELEFILTER reserves the right to make changes to the product(s) and/or information contained herein without notice. No liability is assumed as a result of their use or application. No rights under any patent accompany the sale of any such product(s) or information.

**Construction and pin configuration**

(All dimensions in mm)



Date code: Year+week

N	2001
P	2002
R	2003
	...

Pin 1	Input Ground
Pin 2	Input
Pin 3	Ground
Pin 4	Output Ground
Pin 5	Output
Pin 6	Ground

**Stability Characteristics**

After the following tests the filter shall meet the whole specification:

1. Shock: 500g, 18 ms, half sine wave, 3 shocks each plane;  
DIN IEC 68 T2 - 27
2. Vibration: 10 Hz to 500 Hz, 0,35 mm or 5g respectively, 1 octave per min, 10 cycles per plan, 3 plans;  
DIN IEC 68 T2 - 6
3. Change of temperature: -55 °C to 125°C / 30 min. each / 10 cycles  
DIN IEC 68 part 2 – 14 Test N
4. Resistance to solder heat (reflow): reflow possible: twice max. ;  
for temperature conditions, please refer to the attached "Air reflow temperature conditions" on page 4

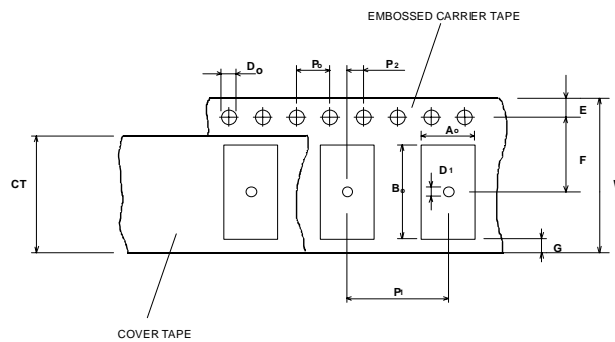
**Packing**

Tape & Reel: IEC 286 - 3, with exception of value for N and minimum bending radius;  
tape type II, embossed carrier tape with top cover tape on the upper side;

max. pieces of filters per reel: 9000  
reel of empty components at start: min 300 mm  
reel of empty components at start including leader: min 500 mm  
trailer: min 300 mm

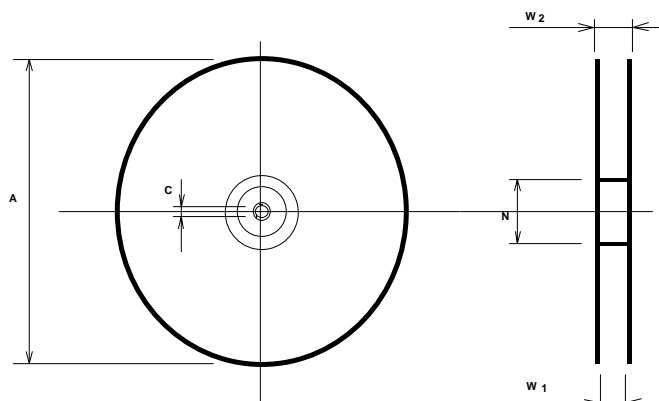
Tape (all dimensions in mm)

W	:	8	± 0,3
Po	:	4	± 0,1
Do	:	1,5	+ 0,1
E	:	1,75	± 0,1
F	:	3,5 ± 0,05	
G (min)	:	0,75	
P2	:	2	± 0,05
P1	:	4	± 0,1
D1(min)	:	1,5	
Ao	:	3,25	± 0,1
Bo	:	3,25	± 0,1
CT	:	5,5	± 0,2



Reel (all dimensions in mm):

A	:	330
W1	:	8,4 + 2,0
W2 (max)	:	14,4
N (min)	:	50
C	:	13 +0,5/ -0,2



The minimum bending radius is 45 mm. The mounting surface of the filters faces the bottom side of the embossed carrier tape. Markings on the filters can be read if the upper side of the carrier tape is regarded with the sprocket holes on its right.

**TELE FILTER GmbH**  
**Potsdamer Straße 18**  
**D 14 513 TELTOW / Germany**  
**Tel: (+49) 3328 4784-0 / Fax: (+49) 3328 4784-30**  
**E-Mail: [tft@telefilter.com](mailto:tft@telefilter.com)**

VI TELEFILTER reserves the right to make changes to the product(s) and/or information contained herein without notice. No liability is assumed as a result of their use or application. No rights under any patent accompany the sale of any such product(s) or information.

**Air reflow temperature conditions**

1st and 2nd air reflow profile

<b>Name:</b>	pre-heating periods	main-heating periods	peak temperature
<b>Temperature:</b>	150 °C - 170 °C	over 200 °C	255 °C ± 5 °C
<b>Time:</b>	60 sec. - 90 sec.	20 sec. - 25 sec.	

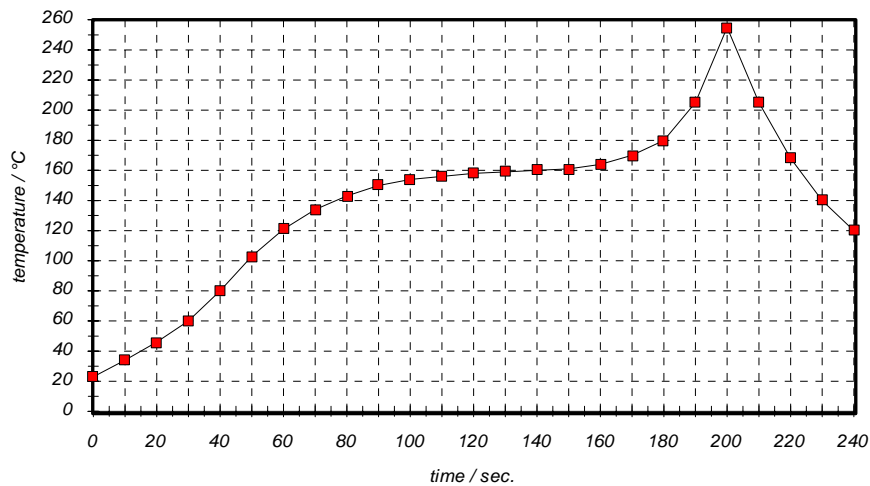
**Chip-mount air reflow profile**

Table for temperature vs. time during the air reflow process

Tolerance of temperatures: ± 5 °C

time / sec.	temperature / °C	time / sec.	temperature / °C
0	23	140	160
10	34	150	161
20	46	160	164
30	60	170	170
40	80	180	180
50	103	190	205
60	121	195	230
70	134	200	255
80	143	205	230
90	150	210	205
100	154	215	180
110	156	220	165
120	158	230	140
130	159	240	120

**History**

<b>Version</b>	<b>Reason of Changes</b>	<b>Name</b>	<b>Date</b>
1.0	- Generation of development specification	Roizengaft	16.10.2003
1.1	- Definition of packing	Roizengaft	30.10.2003
1.2	- Change operating temperature range to operable temperature range - Change remark for electrical data - Change ambient temperature - Add value for temperature coefficient of frequency	Wall	19.11.2003